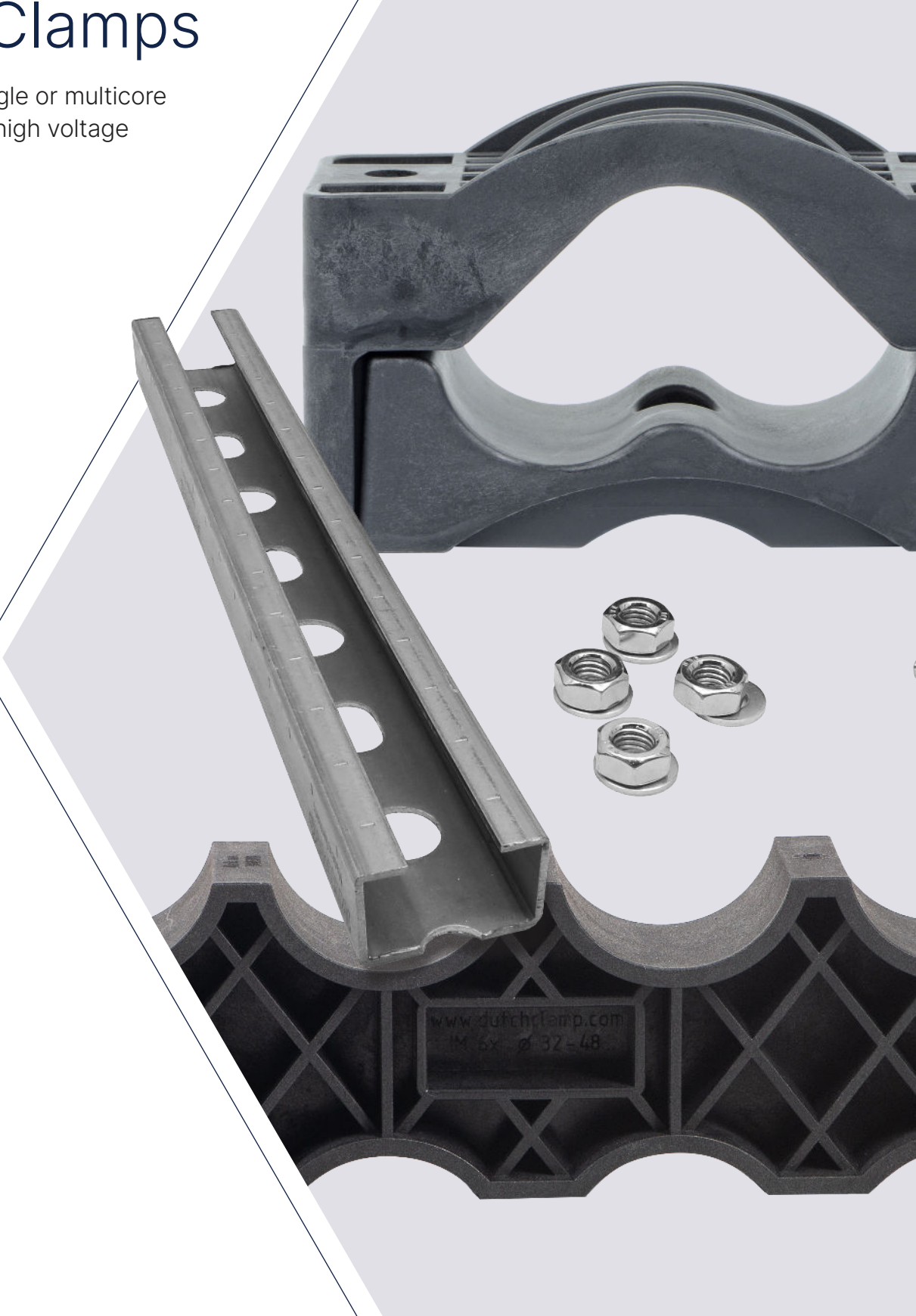


Cable Clamps

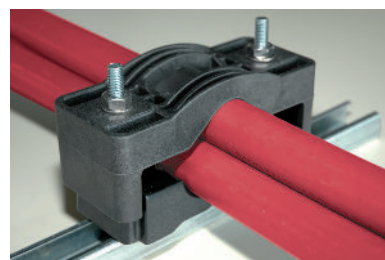
- for fastening single or multicore low, medium and high voltage cables.



Cable Clamps for 3 cables

Cable Clamps for fastening three single or multicore low, medium and high voltage cables in a triangular formation. The installation is designed to provide superior mechanical strength. The width of the clamping area provides a controlled pressure on the cable and avoids damage to the insulation.

- Constructed for a mechanical strength up to 65 500 Nm
- Temperature range -40 – +120 C° (momentarily +225 C°)
- UL tested
- Space saving
- For low and high voltage cables
- UL94 self extinguishing, Halogen-free
- Easy installation
- Stackable



To mount next clamp on top of the first, i.e. a mounting of 6 cables, you preferable use 1 pcs TRIPLE 27-38 KIT, 1 pcs TRIPLE 27-38 and 1 pcs mounting kit M10×120.

Cable clamp and mounting material

-cable x Ø, mm	Type	Mounting material (screw, nut, washer)	Rail	Fastening torque
3×27-38	TRIPLE 27-38 KIT	Galvanized steel, 2xM10×120, 4xM10	300	5 Nm
3×38-51	TRIPLE 38-51 KIT	Galvanized steel, 2xM10,140, 4xM10	300	5 Nm
3×51-69	TRIPLE 51-69 KIT	Galvanized steel, 2xM10,140, 4xM10	300	5 Nm
3×69-90	TRIPLE 69-90 KIT	Galvanized steel, 2xM10×180, 4xM10	300	8 Nm
3×90-118	TRIPLE 90-118 KIT	Galvanized steel, 2xM10×180, 4xM10	300	8 Nm



TRIPLE 27-38 KIT



TRIPLE 38-51 KIT



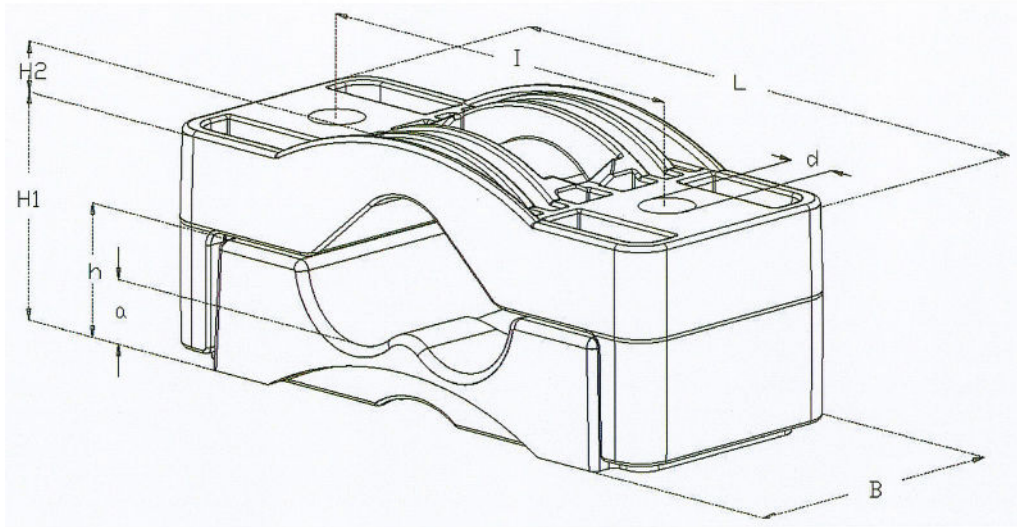
TRIPLE 51-69 KIT



TRIPLE 69-90 KIT



TRIPLE 90-118 KIT



Cable clamp

-cable x Ø, mm	Type	mm							
		L	B	I	d	H1	H2	h	a
3×27-38	TRIPLE 27-38	180	75	125	15.5	63	12	35	16.5
3×38-51	TRIPLE 38-51	195	80	145	15.5	84	16	45	20
3×51-69	TRIPLE 51-69	220	85	170	15.5	109	21	58	26
3×69-90	TRIPLE 69-90	252	90	215	15.5	134	29	72	30
3×90-118	TRIPLE 90-118	321	100	270	15.5	180	27	89	33



TRIPLE 27-38



TRIPLE 38-51



TRIPLE 51-69



TRIPLE 69-90



TRIPLE 90-118



Accessories:

M10×120

Fastening material, 2 threaded rods M10×120, 4 x M10 nuts and washers, 2 couplers.

Cable Clamps for 1 cable

Cable Clamps for fastening one single or multicore low, medium and high voltage cables. The installation is designed to provide superior mechanical strength. The width of the clamping area provides a controlled pressure on the cable and avoids damage to the insulation.

- Constructed for a mechanical strength of up to 68 000 Nm
- Temperature range -40 - + 120 C° (momentarily +225 C°)
- Tested by the Prof. Ir. Damstra Laboratory
- UL tested
- For low and high voltage cables
- Halogen free



Cable clamp and mounting material				
-cable x Ø, mm	Type	Mounting material (screw, nut, washer)	Rail	Fastening torque
1×26-38	SE 26-38 KIT	Galvanized steel, 2xM10×80, 4xM10	200	5 Nm
1×36-52	SE 36-52 KIT	Galvanized steel, 2xM10×100, 4xM10	200	5 Nm
1×50-75	SE 50-75 KIT	Galvanized steel, 2xM10×100, 4xM10	200	5 Nm
1×75-100	SE 75-100 KIT	Galvanized steel, 2xM10×120, 4xM10	300	5 Nm
1×100-135	SE 100-135 KIT	Galvanized steel, 2xM10×180. 4xM10	300	8 Nm



SE 26-38 KIT



SE 36-52 KIT



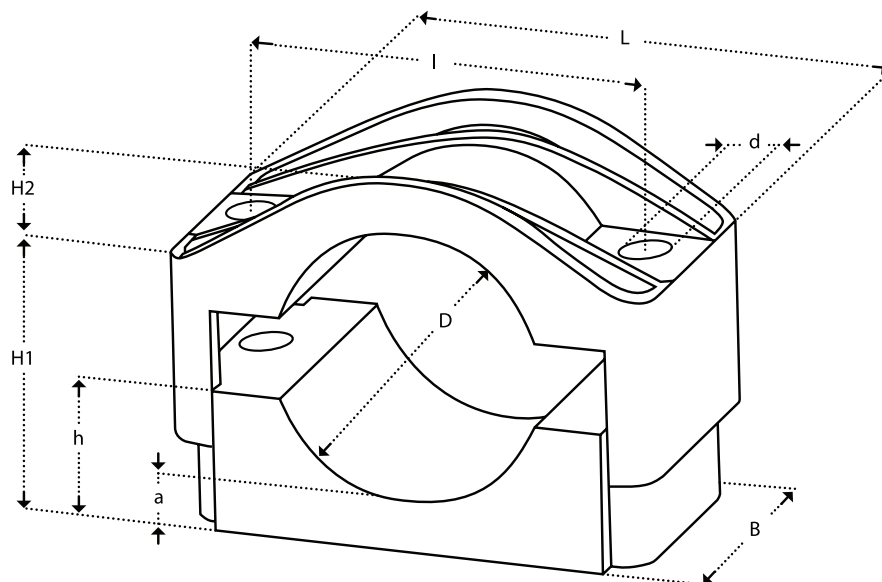
SE 50-75 KIT



SE 75-100 KIT



SE 100-135 KIT



Cable clamp

-cable x Ø, mm	Type	mm							
		L	B	l	d	H1	H2	h	a
1×26-38	SE 26-38	92	60	60	12	33-49	7	18	7
1×36-52	SE 36-52	105	60	75	12	39-55	15	23	8
1×50-75	SE 50-75	126	60	95	12	46-71	22	30	9
1×75-100	SE 75-100	200	80	150	15	70-95	32	45	10
1×100-135	SE 100-135	225	85	175	15	85-120	43	58	10



SE 26-38



SE 36-52



SE 50-75



SE 75-100



SE 100-135





ELP RES

QUALITY SINCE 1959

Cable Blocks for 4 cables

Cable Blocks are suitable for fastening cables with a diameter 12 mm (0.45 inch) up to 32 mm (1.26 inch) and a diameter of 32 mm up to 48 mm. By means of 2 block parts, 4 cables can be fastening along side each other. On the basis of the number of cables to be fastened, the number of block parts is decided. 2 block parts for 4 cables, 3 block parts for 8 cables and so on. The blocks can also be fastened along side each other by the clever dovetail connection.

- Constructed for a mechanical strength of 29 500 Nm
- Temperature range -40 – + 120 C° (momentarily +225 C°)
- UL tested
- For low and high voltage cables
- Supplied in 2 blocks (for 4 cables)
- Halogen free
- Stackable (max 6 blocks)

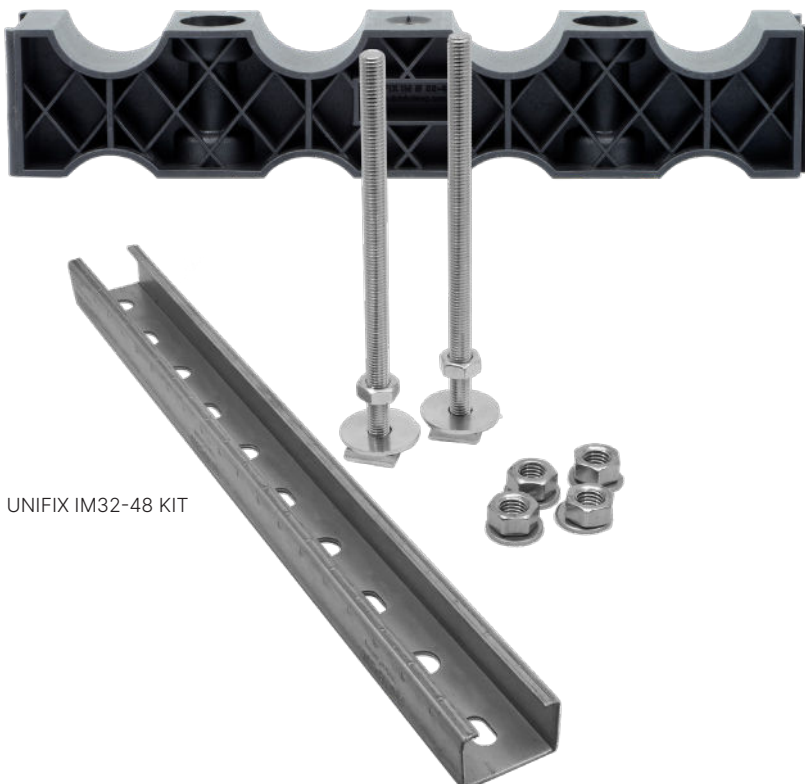
Example:

To mount 8 cables above each other you preferable use 1 pcs UNIFIX IM12-32, 1 pcs UNIFIX IM12-32 and 1 pcs mounting kit M10x120.



Cable clamp and mounting material				
4-cable x Ø, mm	Type	Mounting material (screw, nut, washer)	Rail	Fastening torque
4x12-32	UNIFIX IM12-32 KIT	Galvanized steel, 2xM10x140, 4xM10	400	5 Nm
4x32-48	UNIFIX IM32-48 KIT	Galvanized steel, 2xM10x140, 4xM10	400	5 Nm

Two clamps, rail, mounting material as above picture.



UNIFIX IM32-48 KIT

Cable clamp

4-cable
x Ø, mm

Type

4×12-32

UNIFIX IM 12-32

4×32-48

UNIFIX IM 32-48

Two clamps

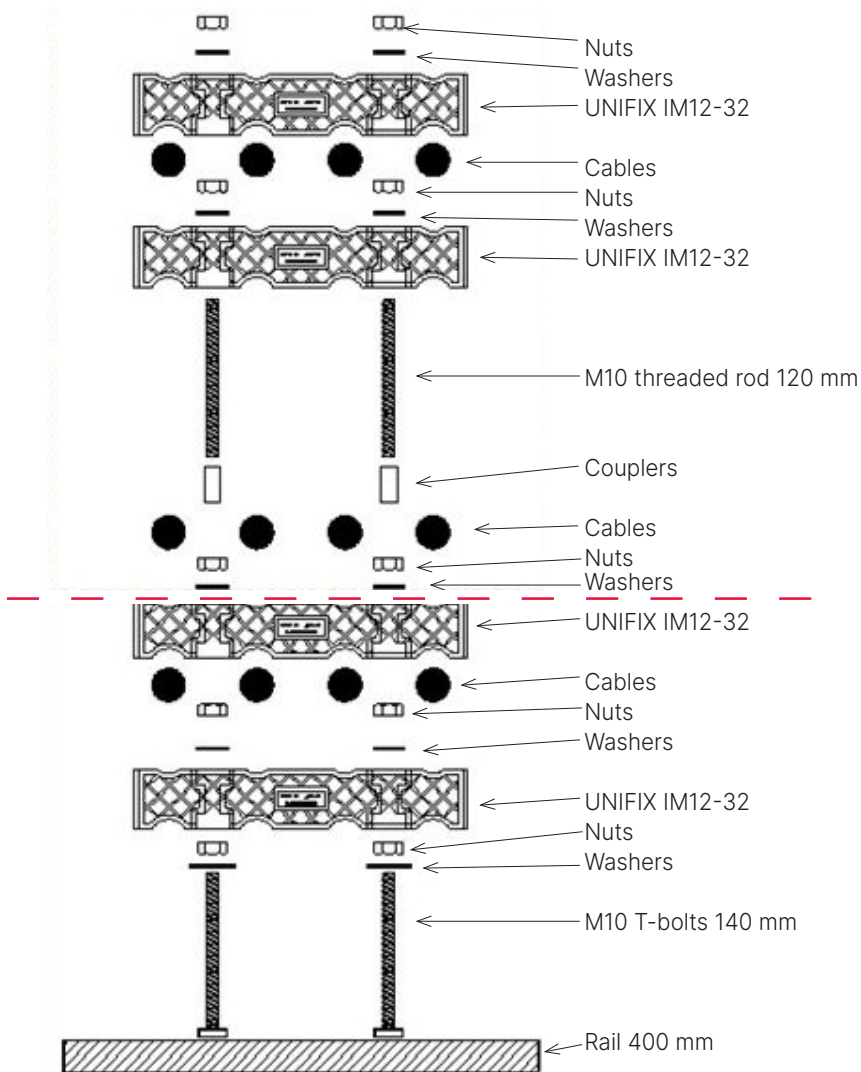


UNIFIX IM12-32



UNIFIX IM32-48

Mounting example



UNIFIX IM12-32 KIT. This includes: 2 pcs UNIFIX IM12-32, 1 pcs rail, 2 pcs M10 T-bolts, 4 pcs nuts, 4 pcs washers.

UNIFIX IM12-32 + mounting kit. One Kit can be completed with UNIFIX 12-32 and mounting material to mount next block on each other.



Accessories:

M10×120

Fastening material, 2 threaded rods M10×120, 4 x M10 nuts and washers, 2 couplers.

Material information of Cable clamps

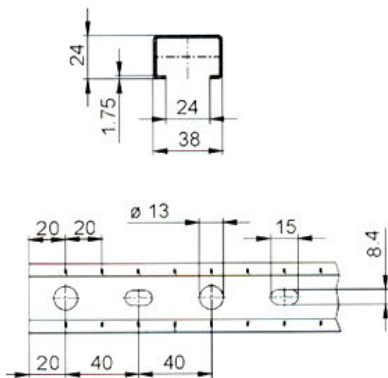
The Cable Clamps are manufactured from fiberglass-reinforced Polyamide and are unique in their additives, which results in a longer life span of 50 years. Polyamide is highly resistant against humidity, which makes the Cable Clamps suitable for both inside and outside installations. Because of the use of this raw material, the Cable Clamps are also resistant against

- corrosion
- ozone
- frost
- oil
- acids
- salts
- aggressive materials
- and UV radiation.

There is no reduction of strength and signs of degrading within temperature ranges from -40°C up to +120°C. (momentarily up to +225°C)

Fastening material

Cable clamps is delivered with below mounting material in the -KIT version of the products.



Rail profile

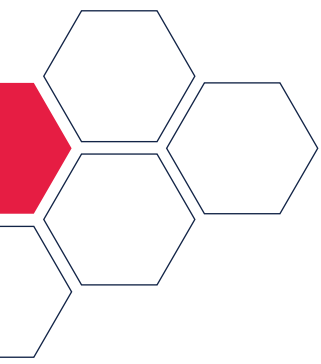


The fastening rail has a profile of type 38/24 and it is for fastening the cable clamps and/or cable blocks to a foundation. Material is galvanized steel.

Rods, nuts etc.

Threaded rods, hammer-heads, nuts, washers, threaded bushes are included in the delivery of the -KIT version of the products. It is for fastening the cable clamp and/or cable blocks with the rail profile. Standard dimension supplied of rods, nuts and washers etc. is M10. Material is galvanized steel.





Elpress AB . P.O. Box 186, SE-872 24 KRAMFORS, Sweden
Tel: +46 612-71 71 00
E-mail: sales@elpress.se | www.elpress.net

ELPRESS